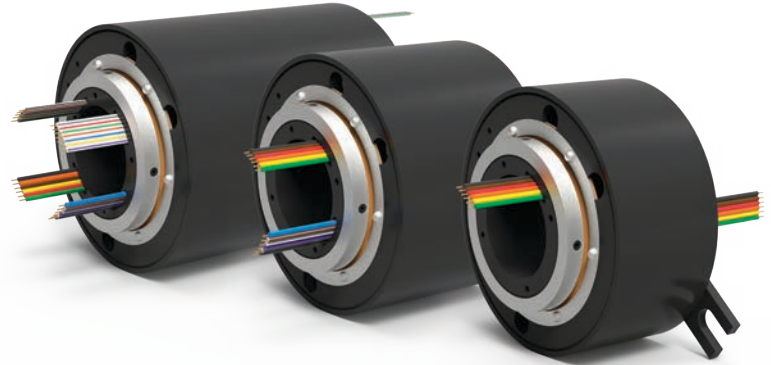


EST Series: Overview

- + 1.5" Inch Thru-bore for Shaft Mounting
- + Splash Seals for Dust and Moisture
- + Unique Fiber Brush Contact Technology
- + Low Contact Force per Fiber
- + Transfers Analog and Digital Signals
- + Low Electrical Noise
- + Data Speeds Under 50 Megabits / Sec.*
- + Compatible With a Range of Data Bus Protocols



The EST Series electrical through bore slip ring is a rotating assembly used to transfer power, control circuits or data (analog / digital) from stationary inlets to rotating outlets.

EST Series slip rings feature a 1.5 inch [38.1 mm] through bore for shaft mounting and incorporate low-wear, fiber brush contacts that do not require lubrication producing virtually no wear debris. Standard models are available from 6 to 24 circuits.

SPECIFICATIONS	
Operating Speed (max.)	250 RPM Continuous
Data Speed (max.)	Under 50 Mbps (non-Ethernet)*
Standard Circuit Options	6, 12, 18, 24
Voltage [AC/DC] (max.)	600
Amps	10
Lead Gauge (AWG)	16
Wire Material	Tin-Plated Copper
Electrical Noise (max.)	100 Milliohms
Contact Material	Silver
Temperature Range	-40 °F to 176 °F (-40 °C to +80 °C)

* In order to successfully transfer digital data signals, a variety of conditions must be met. Please consult with DSTI for approval. For the most reliable transfer of digital data signals, see our Ethernet slip ring options.



PRODUCT DOWNLOADS

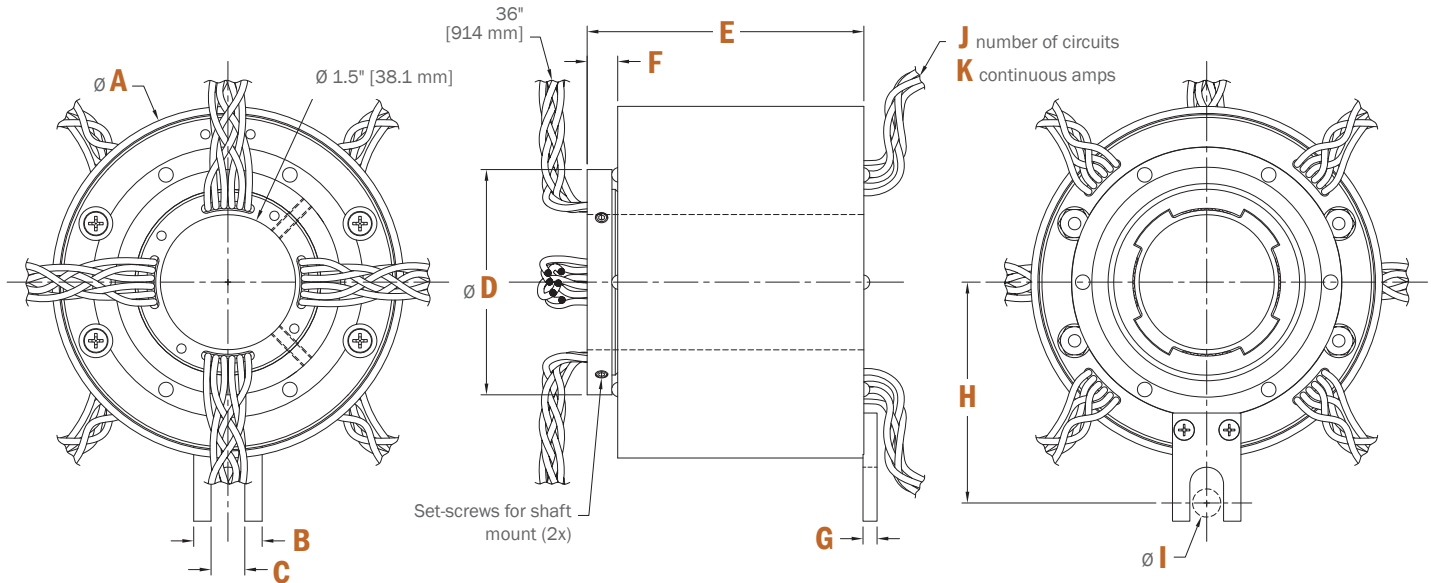
For Catalogs, Brochures, Models and Drawings visit www.dsti.com/downloads



DID YOU KNOW?

DSTI slip rings can be purchased online at store.dsti.com

EST Series: Dimensions



	EST6	EST12	EST18	EST24
A	3.90" [99.06mm]	3.90" [99.06mm]	3.90" [99.06mm]	3.90" [99.06mm]
B	.76" [19.30 mm]	.76" [19.30 mm]	.76" [19.30 mm]	.76" [19.30 mm]
C	.375" [9.53mm]	.375" [9.53mm]	.375" [9.53mm]	.375" [9.53mm]
D	2.5" [63.50mm]	2.5" [63.50mm]	2.5" [63.50mm]	2.5" [63.50mm]
E	2.13" [54.10mm]	3.07" [77.98mm]	4.01" [101.85mm]	4.94" [125.48mm]
F	.34" [8.64mm]	.34" [8.64mm]	.34" [8.64mm]	.34" [8.64mm]
G	.15" [3.81mm]	.15" [3.81mm]	.15" [3.81mm]	.15" [3.81mm]
H	2.45" [62.23mm]	2.45" [62.23mm]	2.45" [62.23mm]	2.45" [62.23mm]
I	.313" [7.95mm]	.313" [7.95mm]	.313" [7.95mm]	.313" [7.95mm]
J	6 Circuits	12 Circuits	18 Circuits	24 Circuits
K	10 Amps	10 Amps	10 Amps	10 Amps

Wiring Color Codes: EST Series

EST6		
Tag #	Color	Description/Awg
1	BLK	10A/16
2	BRN	
3	RED	
4	ORN	
5	YEL	
6	GRN	

EST12		
Tag #	Color	Description/Awg
1	BLK	10A/16
2	BRN	
3	RED	
4	ORN	
5	YEL	
6	GRN	
7	BLU	
8	VIO	
9	GRY	
10	WHT	
11	WHT-BLK	
12	WHT-BRN	

EST18		
Tag #	Color	Description/Awg
1	BLK	10A/16
2	BRN	
3	RED	
4	ORN	
5	YEL	
6	GRN	
7	BLU	
8	VIO	
9	GRY	
10	WHT	
11	WHT-BLK	
12	WHT-BRN	
13	WHT-RED	
14	WHT-ORN	
15	WHT-YEL	
16	WHT-GRN	
17	WHT-BLU	
18	WHT-VIO	

EST24		
Tag #	Color	Description/Awg
1	BLK	10A/16
2	BRN	
3	RED	
4	ORN	
5	YEL	
6	GRN	
7	BLU	
8	VIO	
9	GRY	
10	WHT	
11	WHT-BLK	
12	WHT-BRN	
13	WHT-RED	
14	WHT-ORN	
15	WHT-YEL	
16	WHT-GRN	
17	WHT-BLU	
18	WHT-VIO	
19	WHT-GRY	
20	WHT-BLK-BRN	
21	WHT-BLK-RED	
22	WHT-BLK-ORN	
23	WHT-BLK-YEL	
24	WHT-BLK-GRN	

Installation & Mounting

PREPARATION:

Remove the slip ring from the shipping container. Inspect the entire assembly, including wire leads to make sure there is no visual damage that occurred during transport.

RECOMMENDED INSTALLATION PRACTICE:

Because of possible geometric mismatching between the customer's application and the slip ring, "hard mounting" of both ends of the slip ring (i.e., securing the rotor and stator such that there is NO floating during operation) is not recommended and may cause premature failure.

THROUGH BORE SLIP RING, SHAFT MOUNT:

Position the slip ring in the desired location and tighten both set screws to the shaft. Maximum torque 25 lb-in. (DO NOT OVER TORQUE)

Route the wiring and make the necessary connections. Do not allow the wiring to restrict free rotation of the slip ring. Do not constrain wiring such that wire flexing (cold working) occurs. Doing so will ultimately cause failure (breakage of the wiring).

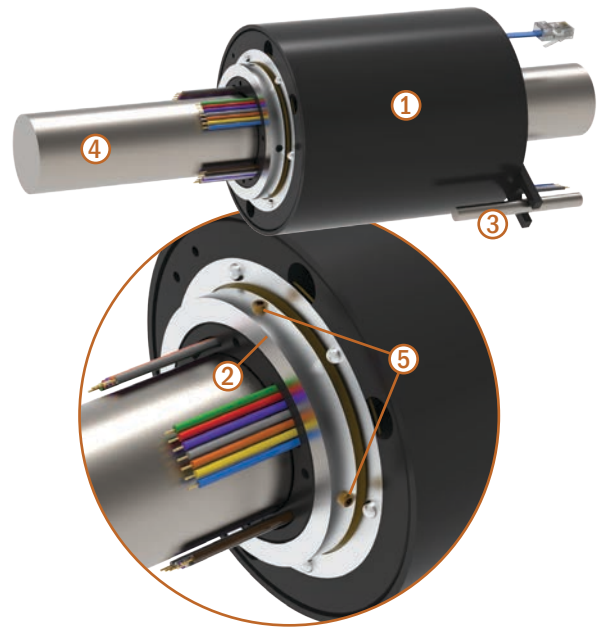
Position a 5/16" (max. dia.) screw or dowel (NOT SUPPLIED) in the anti-rotation tab.

INITIAL START-UP:

Begin rotation of the equipment and verify that while rotating at the maximum operating speed there is no visible movement of the slip ring assembly due to misalignment and no binding or rubbing of the wire leads.

THESE INSTRUCTIONS ARE INTENDED TO BE USED AS A GENERAL GUIDE, PLEASE CONSULT DSTI TO DISCUSS ANY SPECIFIC QUESTIONS RELATED TO YOUR INSTALLATION.

MOUNTING EXAMPLE



- ① SLIP RING STATOR
- ② SLIP RING ROTOR
- ③ ANTI-ROTATE DEVICE EXAMPLE
- ④ CUSTOMER INTERFACE EXAMPLE
- ⑤ SET SCREWS FOR SHAFT MOUNTING